



Product information



Technical documents
Download from PRO CLUB.

PACKAGED AIR CONDITIONERS NX SERIES 2022/2023

Panasonic

**Building Passion,
Building Solutions.**
Panasonic Air Conditioning Systems

We face a time in which "quality air" differentiates business. It's a time for Panasonic to fully display its strengths. Our ability to assemble and build superior systems isn't just due to the rich resources we have as a comprehensive electronics manufacturer, but also to Panasonic's 100 years of tradition, where each person thinks and acts on their own initiative while working in a team to reach further heights. We do not compromise. Each of our independent selves is a one stop solution. We face our customers' challenges together with our customers and do all that we can to build effective systems. As a true partner for our customers, we strive to always be at the forefront of business.

- Please read the Installation Instructions carefully before installing the unit, and the Operating Instructions before using it.
- Specifications are subject to change without prior notice.
- The contents of this catalogue are accurate as of August 30, 2022.
- Due to printing considerations, the actual colours may vary slightly from those shown.
- All graphics are provided merely for the purpose of illustrating a point.



Do not add or replace refrigerant other than the specified type. Manufacturer is not responsible for the damage and deterioration in safety due to usage of other refrigerant.

Authorised Dealer

PAC INVERTER ASIA October 2022



nanoeX



INVERTER



Panasonic A. P. Sales (Thailand) Co., Ltd.

18/6 Moo7, Bangna-Trad Road Km. 17,
Bangchalong, Bangplee, Samutprakarn 10540
Tel: 02-312-7148



QUALITY AIR FOR LIFE

NX Series Product Lineup

- All indoor units are equipped with nanoe™ X technology (Mark 2) as standard
- New DELUXE 4-Way Cassette, equipped with nanoe™ X technology (Mark 3)

| Capacity [Btu/h] | | 18,100 | 24,000 | 30,000 | 36,200 | 42,000 | 48,100 |
|--------------------|--|------------|------------|------------|--------------|-------------|-------------|
| 4-Way Cassette | Indoor units nanoe™ X CONEX Generator Mark3 | S-18PU3TA | S-24PU3TA | S-30PU3TA | S-3648PU3TA* | | |
| | EGAT CLASS | | | | | | |
| Adaptive Ducted | Indoor units nanoe™ X CONEX Generator Mark2 | S-18PF3T | S-24PF3T | S-30PF3T | S-3648PF3T* | | |
| | EGAT CLASS | | | | | | |
| Ceiling Exposed | Indoor units nanoe™ X CONEX Generator Mark2 | S-18PT3T | S-24PT3T | S-30PT3T | S-3648PT3T* | | |
| | EGAT CLASS | | | | | | |
| Outdoor Units | INVERTER R32 | U-18PRH1T5 | U-24PRH1T5 | U-30PRH1T5 | U-36PRH1T5 | U-42PRH1T5 | U-48PRH1T5 |
| | | — | — | — | U-36PRH1T8* | U-42PRH1T8* | U-42PRH1T8* |

*3-phase model newly added.

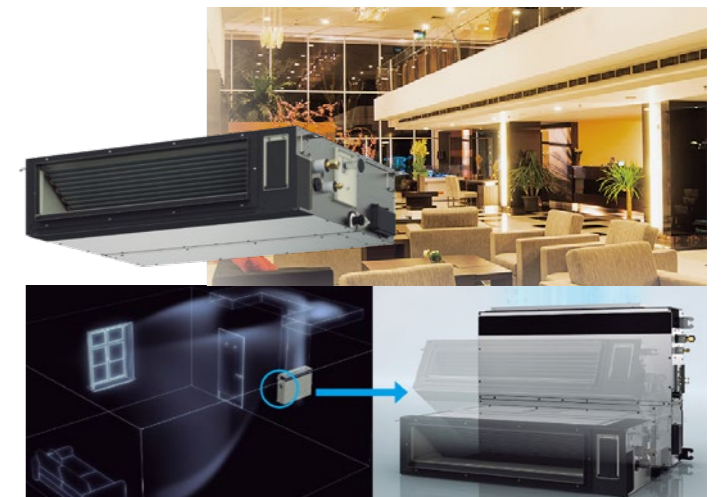
NEW

Flexible Installation Adaptive Ducted

New NX Series Adaptive Ducted units can be mounted not only horizontally but also vertically without the need for alterations. Our groundbreaking drain pan design delivers a new level of flexibility in an industry-leading vertical installation.



Product information
Website will be opened in
November 2022



Compact Body with Powerful 150 Pa ESP

Indoor units have also been redesigned and are now just 250 mm in height and lighter in weight, yet still deliver the same powerful 150 Pa.

Space saving 250 mm height

NX Series

Height **250 mm** Weight* 25 kg
Note: In the case of 2HP



NEW

Higher nanoe™ X Concentration, Even in Large Spaces

nanoe™ X Generator Mark 3 providing a 100-fold increase in hydroxyl radical generation*. Greater effectiveness even in large spaces of more than 100 m².

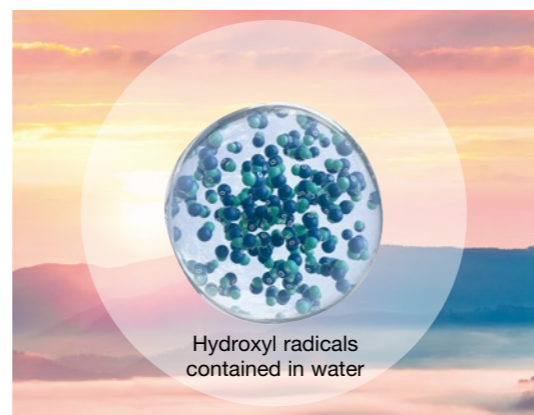
* Compared to original nanoe™.

NEW

nanoe™ X Bringing Nature's Balance Indoors

The well-being benefits of nature are well known but do you know the power of hydroxyl radicals?

Abundant in nature, hydroxyl radicals (also known as OH radicals) inhibit pollutants, viruses and bacteria to clean and deodorise. nanoe™ X technology can bring these incredible benefits indoors.



For 4-Way Cassette, nanoe™ X Generator Mark 3 Equipped.

7 Effects of nanoe™ X : Creating Cleaner Environments

nanoe™ inhibits 5 types of pollutants, deodorises and moisturises thanks to the action of hydroxyl radicals contained in water.

Deodorises



Odours

Inhibits 5 types of pollutants



Bacteria & Viruses



Mould



Allergens



Pollen



Hazardous substances

Moisturises

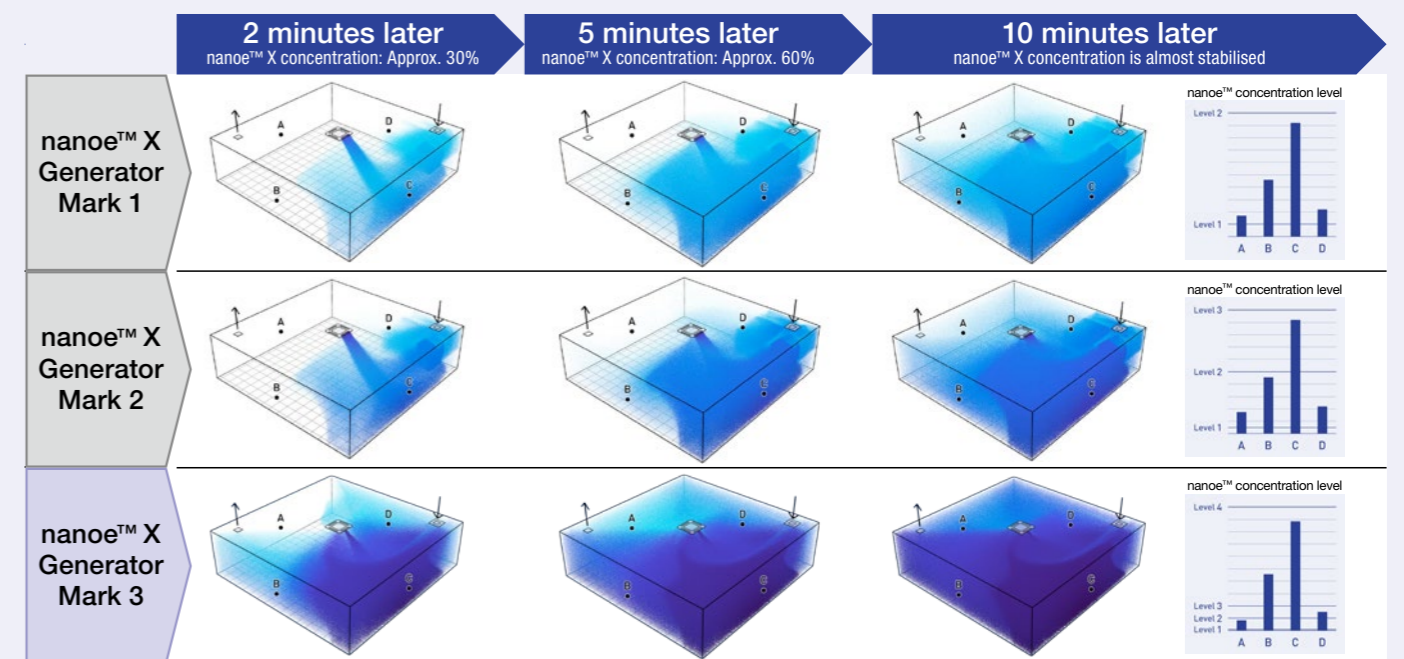


Skin & Hair



The evidence page of nanoe™ X effect

nanoe™ X Concentration Simulation: Generator Mark 3 for Highest Concentration Levels.



Conditions of the simulation : Verification space: 168 m³ / Room size: 70 m² / Room height: 2.4 m / Inspection model: 4-way cassette / Position of IDU: Centre

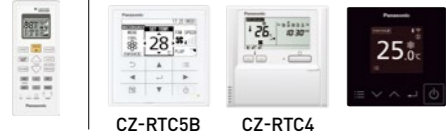
* There are 7 key benefits provided by nanoe which commence when concentration reaches level 1. The concentration level affects the speed at which the benefits occur. Concentration level 2 is 10 times the concentration of level 1, and concentration level 3 is 20 times the concentration of level 1. ** The results shown are for simulation purpose only and concentration may vary due to actual room conditions.

CEILING EXPOSED

- Slim design with a thickness of only 235 mm.
- Compact looking, stylish, one-motion design.
- Comfortable, long-distance airflow distribution.



(Accessory) (Optional Wired Remote Controller)



CZ-RTC6
CZ-RTC6BL [BLE]
CZ-RTC6BLW [BLE&WLAN]



CZ-CAPWFC1



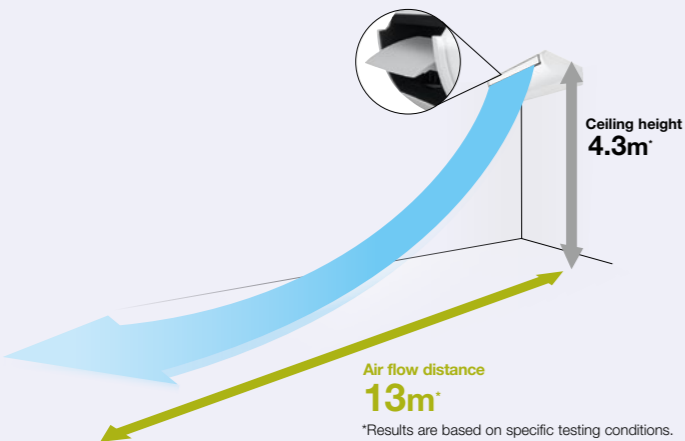
| Capacity [Btu/h(Phase)] | 18,100 | 24,000 | 30,000 | 36,200 | 36,200 [3] | 42,000 | 42,000 [3] | 48,100 | 48,100[3] | |
|-----------------------------------|---------------------|------------|----------------------|------------|----------------------|------------|----------------------|------------|----------------------|--|
| Power Source | V/Phase Hz | | 220V, 1ØPhase - 50Hz | | 380V, 3ØPhase - 50Hz | | 220V, 1ØPhase - 50Hz | | 380V, 3ØPhase - 50Hz | |
| Indoor Unit | S-18PT3T | S-24PT3T | S-30PT3T | S-3648PT3T | S-3648PT3T | S-3648PT3T | S-3648PT3T | S-3648PT3T | S-3648PT3T | |
| Outdoor Unit | U-18PRH1T5 | U-24PRH1T5 | U-30PRH1T5 | U-36PRH1T5 | U-36PRH1T8 | U-42PRH1T5 | U-42PRH1T8 | U-48PRH1T5 | U-48PRH1T8 | |
| Cooling Capacity: Rated (Min-Max) | kW | | 8.80 [2.00-10.00] | | 10.60 [3.80-11.20] | | 12.30 [3.80-14.00] | | 14.10 [5.30-15.50] | |
| Current: Rated (Max) | A | | 10.8 [12.0] | | 14.1 [25.5] | | 19.2 [26.0] | | 24.0 [28.0] | |
| Power Input: Rated (Min-Max) | kW | | 2.32 [0.26-2.79] | | 2.86 [0.68-3.04] | | 3.89 [0.68-4.45] | | 4.86 [0.94-5.37] | |
| COP/EER | W/W | | 12.93 | | 12.66 | | 10.8 | | 9.90 | |
| SEER | Btu/hW | | 21.77 | | 19.99 | | 19.30 | | 18.40 | |
| Indoor Unit | | | | | | | | | | |
| Air Volume | m ³ /min | | 35.0 | | 35.0 | | 35.0 | | 35.0 | |
| Sound Pressure Level (Hi/Lo) | dB [A] | | 46 / 38 | | 46 / 38 | | 46 / 38 | | 46 / 38 | |
| Dimension | mm | | 235 x 960 x 690 | | 235 x 1,590 x 690 | | 235 x 1,590 x 690 | | 235 x 1,590 x 690 | |
| Net Weight | kg | | 34 | | 40 | | 40 | | 40 | |
| Outdoor Unit | | | | | | | | | | |
| Sound Pressure Level | dB [A] | | 53 | | 54 | | 57 | | 58 | |
| Dimension | mm | | 695 x 875 x 320 | | 695 x 875 x 320 | | 996 x 980 x 370 | | 996 x 980 x 370 | |
| Net Weight | kg | | 39 | | 69 | | 69 | | 75 | |
| Piping Connection | mm (inch) | | 15.88 (5/8) | | 15.88 (5/8) | | 15.88 (5/8) | | 15.88 (5/8) | |
| Pipe Length | m | | 5-50 | | 5-50 | | 5-50 | | 5-50 | |
| Elevation Difference | m | | 30 | | 30 | | 30 | | 30 | |
| Maximum Chargeless Length | m | | 30 | | 30 | | 30 | | 30 | |
| Additional Gas | g/m | | 25 | | 25 | | 25 | | 25 | |
| Operation Range, Outdoor | °C | | 16-52 | | 16-52 | | 16-52 | | 16-52 | |

Advantages of Ceiling Exposed

Comfortable, Long-distance Airflow Distribution

The shape of the outlet has been optimised to provide long-distance air flow distribution.

Even in long rooms, air flow reaches every corner for exceptionally comfortable air conditioning.



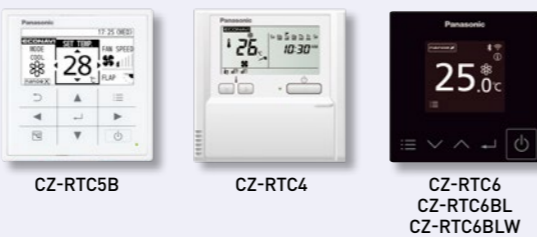
Remote Controller Information

Wireless Remote Controller

* For 4-Way Cassette & Ceiling Exposed



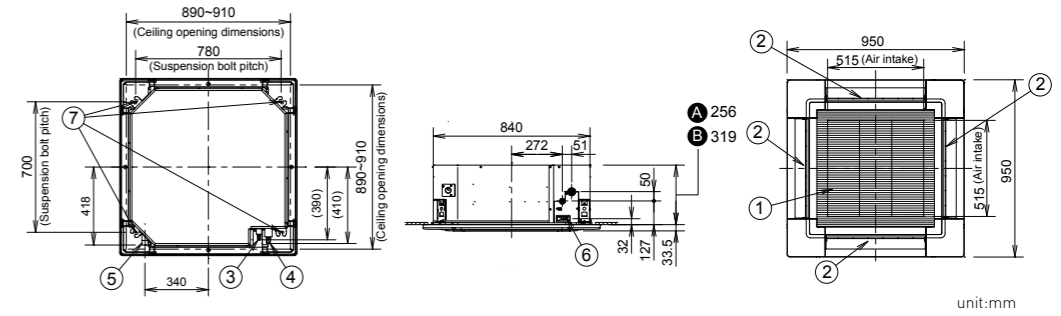
Wired Remote Controller



4-WAY CASSETTE **NEW** Dimensions

- A S-18PU3TA/S-24PU3TA
- B S-30PU3TA/S-3648PU3TA

- 1 Air intake
- 2 Discharge outlet
- 3 Refrigerant tubing (liquid tube)
- 4 Refrigerant tubing (gas tube)
- 5 Drain tube connection port VP25 (outer dia. ø32)
- 6 Power supply port
- 7 Suspension bolt hole (4-12x30 elongated hole)

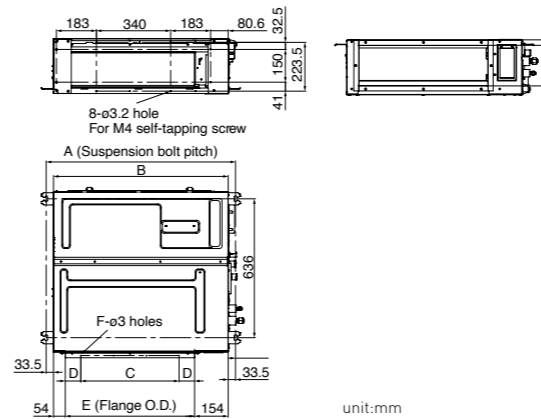


ADAPTIVE DUCTED **NEW** Dimensions

S-18PF3T/S-24PF3T/S-30PF3T/S-3648PF3T

Detailed dimensions of indoor unit

| Type | A | B | C | D | E | F |
|---------|-------|-------|-----------------------|----|-------|-----|
| | mm | mm | mm | mm | mm | Qty |
| 18 | 867 | 800 | 450 (Pitch 150 x 3) | 71 | 592 | 12 |
| 24 | 1,067 | 1,000 | 750 (Pitch 150 x 5) | 21 | 792 | 16 |
| 30/3648 | 1,467 | 1,400 | 1,050 (Pitch 150 x 7) | 71 | 1,192 | 20 |

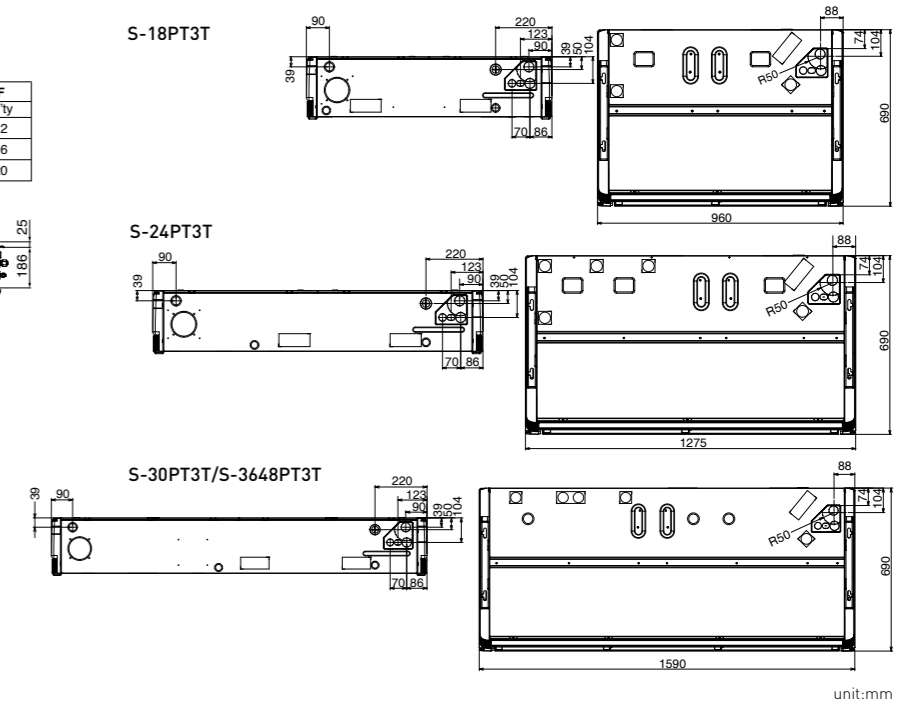


CEILING EXPOSED **NEW** Dimensions

S-18PT3T

S-24PT3T

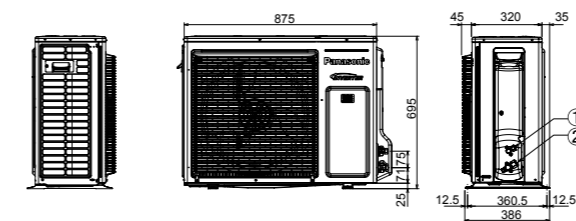
S-30PT3T/S-3648PT3T



OUTDOOR UNITS **NEW** Dimensions

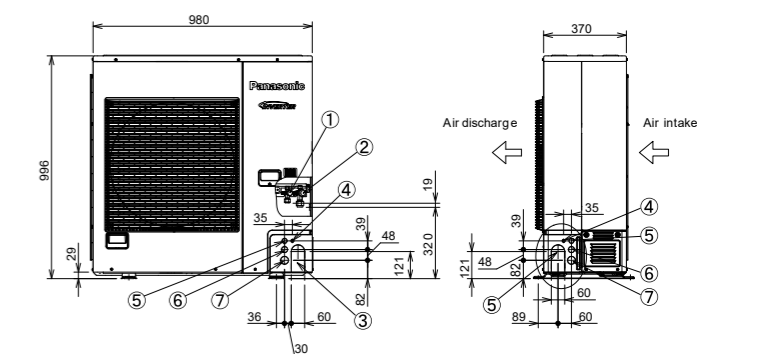
U-18PRH1T5/U-24PRH1T5/U-30PRH1T5

U-36PRH1T5/U-36PRH1T8/U-42PRH1T5/U-42PRH1T8/ U-48PRH1T5/U-48PRH1T8



- 1 Refrigerant tubing (liquid tube), flared connection (Ø6.35"/19.52")
- 2 Refrigerant tubing (gas tube), flared connection (Ø12.70"/15.88")

*1 For U-18PRH
*2 For U-24/30PRH
*Mounting hole (4-R6.5), anchor bolt : M10



- 1 Refrigerant tubing (liquid tube), flared connection (Ø9.52)
- 2 Refrigerant tubing (gas tube), flared connection (Ø15.88)
- 3 Refrigerant tubing port
- 4 Electrical wiring port (Ø13)
- 5 Electrical wiring port (Ø22)
- 6 Electrical wiring port (Ø27)
- 7 Electrical wiring port (Ø35)

*Mounting hole (4-R6.5), anchor bolt : M10

unit:mm